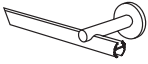
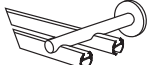
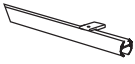
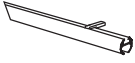
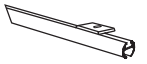
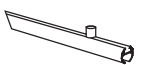
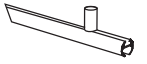
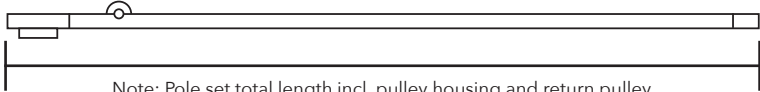


Ø 28 mm IQ Order Template

1. SYSTEM			
<input type="checkbox"/>	4- Single rail Wall extension 120 mm		<input type="checkbox"/>
<input type="checkbox"/>	5- Single rail Wall extension 110/220 mm		<input type="checkbox"/>
<input type="checkbox"/>	11- Single rail Ceiling extension 29 mm		<input type="checkbox"/>
<input type="checkbox"/>	13- Single rail Ceiling extension 29 mm		<input type="checkbox"/>
<input type="checkbox"/>	14- Single rail Ceiling extension 32 mm		<input type="checkbox"/>
<input type="checkbox"/>	15- Single rail Ceiling extension 41 mm		<input type="checkbox"/>
<input type="checkbox"/>	16- Single rail Ceiling extension 60 mm		<input type="checkbox"/>

2. LENGTH	3. FINISH
 <p>Note: Pole set total length incl. pulley housing and return pulley.</p>	<input type="checkbox"/> -22 chrom glanz
	<input type="checkbox"/> -29 satined nickel
	<input type="checkbox"/> -157 black matt

4. DRIVE	5. OVER- / UNDERLAP / WAVE CARRIER
<input type="checkbox"/> right side	<input type="checkbox"/> Yes (standard) 8809-23 / -24
<input type="checkbox"/> left side	<input type="checkbox"/> No
	<input type="checkbox"/> Wave Carrier 8809-34

6. CURTAIN STACK	7. GLIDER / GLIDERCHAIN / COLOR
<input type="checkbox"/> right side	<input type="checkbox"/> Standardglider 8809-52
<input type="checkbox"/> left side	<input type="checkbox"/> 869-00 Curtain hook
<input type="checkbox"/> right and left side	<input type="checkbox"/> 853-00 Curtain double hook
	<input type="checkbox"/> LaOla gliderchain 961-25
	<input type="checkbox"/> LaOla gliderchain, rotating 966-25
	<input type="checkbox"/> white <input type="checkbox"/> grey <input type="checkbox"/> black

8. SELECTION MOTOR + ACCESSORIES			
SOMFY - Pole set no. 28212		FOREST - Pole set no. 28205	
<input type="checkbox"/> MoveLite WireFree motor incl. charging cable art. no. 11692-35-00	<input type="checkbox"/> Transformer 11692-6-57	<input type="checkbox"/> Shuttle iOn Motor (Battery) art. no. 11682-14	<input type="checkbox"/> white <input type="checkbox"/> black
<input type="checkbox"/> Irismo 45 WireFree RTS - art. no. 11690-00		<input type="checkbox"/> Charging cable Shuttle iOn Motor - art. no. 11682-15-57	
<input type="checkbox"/> Charging cable for Irismo 45 WireFree RTS - art. no. 11690-6-00		<input type="checkbox"/> Shuttle Motor (24 V) art. no. 11681-24	<input type="checkbox"/> white <input type="checkbox"/> grey <input type="checkbox"/> black
<input type="checkbox"/> Gyldea Ultra 60e RTS - art. no. 11691-60-00		<input type="checkbox"/> Transformator for Shuttle Motor - art. no. 11681-3-00	
<input type="checkbox"/> Remote control for all Somfy Motors - art. no. 11690-5-00		<input type="checkbox"/> Remote control - art. no. 11681-8	<input type="checkbox"/> white <input type="checkbox"/> black